

1/2" PEAR HEAD RATCHET | E113708

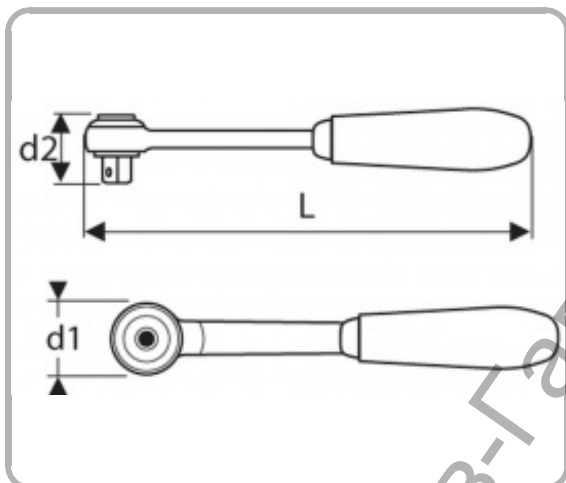


Description

- ISO 3315 - DIN 3122 - ISO 1174-1
- 72 tooth mechanism.
- 5° increment.
- Socket safety lock.
- Lever reverse: rotation direction displayed.
- High Chrome finish.
- Ergonomic bimaterial handle.

Information

EAN	3258951137086
d1 [mm]	39,2
d2 [mm]	39
L [mm]	250
Conditioning	1
[g]	550



Ташев-Галвинг ООД
www.tashev-galving.com